

All rights reserved by **CNHi**.

The information contained in this catalogue is intended to be of a general nature only. **CNHi** may at any time and from time to time, for technical or other necessary reasons, modify any of the details or specifications of the product described in this catalogue.

To be sure of getting accurate, detailed and up-to-date information, an intending buyer should consult his nearest **CNHi** dealer or distributor.

Single item numeration method used in this catalogue may not be used without written consent from **CNHi**.

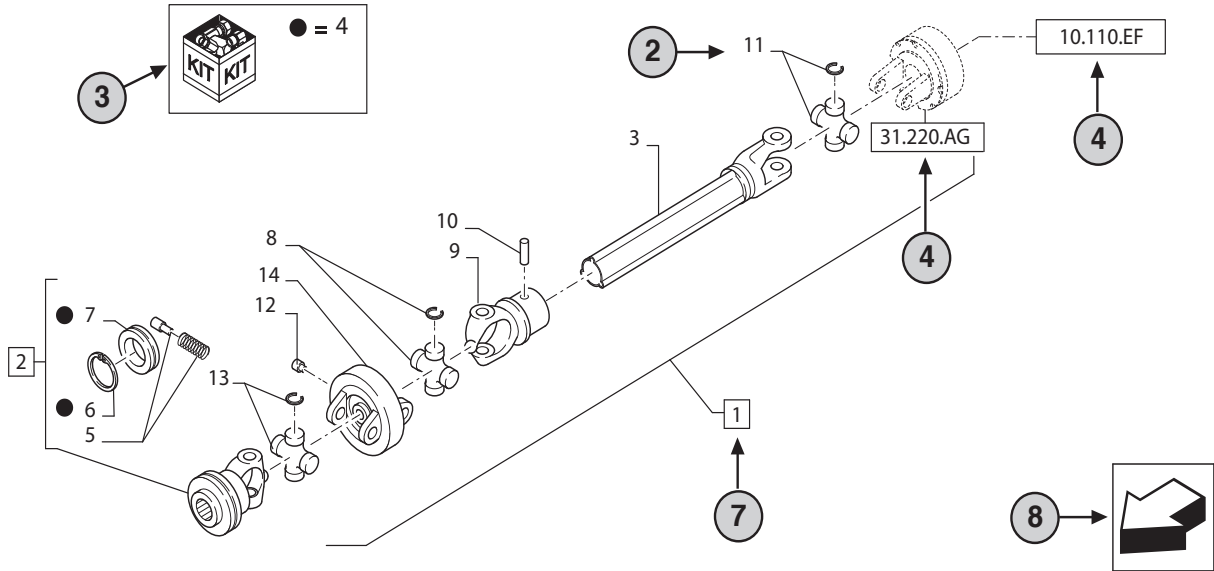
31.220.AD

01

p1

10/2014

VAR - 123782, 789101,987654 - PTO - D650



STANDARD ← 6

23

9

10

31.220.AD

01

p1

10/2014

VAR - 123782, 789101,987654 - PTO - D650

11

12

13

14

REF	FN	PART NUMBER	YR/SN	QTY	DESCRIPTION
1	1	86529340	20	1	SHAFT PTO, Incl 2 - 11
2	15	84014007		1	YOKE, Incl 4 -7 ← 7
3	16	NSS		1	NOT SERVICED SEPARATELY, SHAFT, 350mm, Incl in 1
4		84004292		1	KIT, Seal Kit, Incl 6, 7 ← 17
4		{84058743}		1	KIT, Seal Kit, Incl 6, 7
2	18		21		
	19		22		
		1 = FOR ITALY ONLY ← 5			

MODELS ← 1


- 1 Model Number and Model Description
- 2 Reference - Figure call-out of the part number.
- 3 Parts supplied in repair kits per symbol reference.
- 4 31.220.AD Part illustrated on the **Page** or in the **Figure** indicated, or calls for **Variations** or **Details**. Indicates components shown in detail elsewhere in the catalogue under the figure number shown.
- 5 Footnote references
- 6 Figure notes
- 7 1 2 Includes item(s) (See Description within partlist).
- 8 Orientation. (Arrow indicates front of the machine). 
- 9 Figure description.
- 10 General information of the figure.
- 11 Figure title number that aligns with the SRT. Standard Repair Time.
- 12 **Sequence** code within the assembly.
- 13 Page number within the sequence code.
- 14 **Date** of printing or updating of page (month-year).
- 15 **Note** - Relating to the Part Number. There is a key to symbols and abbreviations at the bottom of the text page.
- 16 Non-serviced parts.
- 17 Further description of the part to help confirm identification.
- 18 Not available as service part.
- 19 Part Number.
- 20 To be defined.
- 21 Total **Quantity** of the Part referred to in the page.
The quantity can be replaced by the following indications:
AR = quantity as requested.
- 22 Part **Description**.
- 23 Variant Codes

TABLE OF CONTENTS

05.100.03		FILTER & CAPACITIES, 1530
05.100.03	01	FILTER & CAPACITIES, 1630
05.100.03	02	FILTER & CAPACITIES, 1725
05.100.03	03	FILTER & CAPACITIES, 1925
06A01		CYLINDER BLOCK (Oct 21 2010 7:04:00.0016 AM)
06B01		CAMSHAFT
06C01		CYLINDER HEAD (Oct 21 2010 6:59:00.0024 AM)
06D01		CRANKSHAFT & PISTONS
06E02		TIMING GEAR CASE
06F01		OIL PUMP, WATER PUMP, ALTERNATOR
06G01		MUFFLER (Apr 24 2009 10:24:00.0025 AM)
06H01		ENGINE GASKET KIT (Feb 15 2011 2:33:00.0232 PM)
06H02		ENGINE GASKET KIT
09A01		FUEL TANK & RELATED PARTS (Mar 24 2011 10:45:00.0042 AM)
09B01		AIR CLEANER
09C01		THROTTLE CONTROLS, HAND (Jun 5 2009 3:39:00.0044 PM)
09C02		THROTTLE CONTROLS - FOOT
09D01		INJECTION PUMP & LINES
09E01		INJECTION PUMP
09F01		FUEL INJECTOR
07A01		CLUTCH & CLUTCH CASE, W/9 X 3
07A02		CLUTCH & CLUTCH CASE, W/HST
07B01		DOUBLE CLUTCH, W/9 X 3
07C01		FRONT TRANSMISSION CASE & SHIFTER, W/9 X 3 (Jun 5 2009 1:22:00.0017 PM)
07C02		FRONT TRANSMISSION CASE & SHIFTER, W/HST (May 22 2009 10:48:00.0018 AM)
07D01		GEAR, FRONT TRANSMISSION, W/9 X 3 DUAL
07D02		GEARS, FRONT TRANSMISSION, W/HST (Jun 5 2009 1:16:00.0019 PM)
07D03		GEARS, FRONT TRANSMISSION, W/9 X 3
07D04		GEARS, FRONT TRANSMISSION, W/9 X 3 & W/FWD
07E01		REAR TRANSMISSION CASE & SHIFTER
07F01		REAR TRANSMISSION GEARS, W/9 X 3 (May 28 2009 2:29:00.0021 PM)
07F02		REAR TRANSMISSION GEARS, W/HST
07G01		AERATION PARTS (May 1 2009 8:07:00.0022 AM)
07H01		PTO GEARS
07I01		MID PTO KIT STD W/HST & OPTIONAL W/9X3 - 710801013
07J01		HST

TABLE OF CONTENTS

07J02	HST CONTROLS & CRUISE CONTROL (Feb 25 2010 2:43:00.0029 PM)
07J03	KIT, CRUISE CONTROL
07J04	COLUMN SHIFT, 9 X 3
07K01	CONTROL LEVERS, TRANSMISSION RANGE, REAR PTO, MID PTO & FWD (Jun 5 2009 3:39:00.0034 PM)
07L01	STEP PLATE
07M01	PEDALS & BRAKE LOCK (HST & 9 X 3) (Jun 5 2009 1:11:00.0043 PM)
07N01	KIT, STEP, RIGHT SIDE (Jun 8 2009 3:03:00.0030 PM)
07N02	KIT, STEP, LEFT SIDE (Jun 8 2009 3:03:00.0031 PM)
07P01	FLOOR MATS
08A01	RADIATOR (Apr 6 2011 2:46:00.0033 PM)
04A01	BRAKE & WHEEL SHAFT CASE (Feb 25 2010 2:20:00.0011 PM)
04B01	DIFFERENTIAL & DIFFERENTIAL LOCK LINKAGE (May 28 2009 2:41:00.0012 PM)
02A01	PARKING BRAKE, NH-NA
11A01	ELECTRICAL - RIGHT HAND SIDE
11A02	ELECTRICAL - LEFT HAND SIDE
11A03	RELAY, DIODE & FUSE LOCATIONS
11A04	LIGHTS, DELUXE, NH-NA
11A05	LIGHTS, ECONOMY, NH-NA
11A07	SWITCHES, DASHBOARD
11B01	BATTERY (Jun 5 2009 3:39:00.0032 PM)
11C01	ALTERNATOR ASSY.
11D01	STARTING MOTOR
03A01	FRONT AXLE, W/2WD
03A02	FRONT AXLE, W/FWD
03A03	FRONT AXLE, SUPER STEER (Jun 5 2009 2:20:00.0041 PM)
03B01	FRONT AXLE, DIFFERENTIAL & SENSITRACK CLUTCH, W/SS
03C01	FRONT DIFFERENTIAL GEARS, W/FWD (Aug 15 2011 8:41:00.0013 AM)
03D01	FINAL REDUCTION GEARS, W/FWD
03E01	STEERING LINKAGE, W/2WD
03F01	STEERING COLUMN, TILT, NH-NA
03F01A	STEERING COLUMN, TILT - 86403100 & 87329101
03F02	STEERING COLUMN, FIXED (Feb 26 2010 8:58:00.0036 AM)
03F03	PIPING, STEERING
03G01	POWER STEERING CASE
03H01	POWER STEERING PUMP
03I01	POWER STEERING CYLINDER , W/2WD

TABLE OF CONTENTS

03I02	POWER STEERING CYLINDER, W/FWD
03I03	POWER STEERING CYLINDER, W/SS
05A01	LIFT COVER & ARMS
05B01	LIFT COVER HEAD ASSY.
05D01	CONTROL VALVE, QUADRANT & LINKAGE L/DRAFT CONTROL (May 28 2009 3:36:00.0014 PM)
05E01	SINGLE SPOOL REAR, REMOTE CONTROL VALVE KIT, #1 (Jun 1 2009 8:27:00.0039 AM)
05E02	SINGLE SPOOL REAR, REMOTE CONTROL VALVE KIT, #2 (Jun 1 2009 8:27:00.0040 AM)
05F01	HYDRAULIC PUMP & PIPING
05F02	HYDRAULIC PIPING, W/HST
05G01	HPL CONTROL VALVE ASSY. - SBA340015140
05G02	HPL CONTROL VALVE ASSEMBLY - SBA340016350
05G03	HPL CONTROLS
05H01	TWO-SPOOL REMOTE CONTROL VALVE & PIPING KIT, PRINCE VALVE #HC-V-AB10 & #HC-V-AE35
05I01	TWO-SPOOL REMOTE CONTROL VALVE ASSEMBLY, PRINCE VALVE #HC-V-AB10 & #HC-V-AE35
05J01	THREE-POINT HITCH ASSY., STD. & PTO SHIELD
05J02	DELUXE THREE-POINT HITCH & KIT
05K01	FIXED CLEVIS HITCH
05K02	DELUXE DRAWBAR ASSEMBLY
05L01	DRAWBAR KITS (Feb 25 2010 4:47:00.1121 PM)
05M01	MANIFOLD DIVERTER BLOCK - SBA340015500 (May 28 2009 1:52:00.0015 PM)
05M01	A MANIFOLD DIVERTER BLOCK - SBA340016660
10A01	HYDRAULIC PUMP & POWER STEERING PUMP
14A01	FENDERS, L.H. & RELATED PARTS
14A02	FENDERS, R.H. & RELATED PARTS
14B01	HOOD AND RELATED PARTS
14C01	RIGID ROLL BAR & RELATED PARTS
14C02	FOLDABLE ROLL BAR & RELATED PARTS (Feb 26 2010 8:19:00.0045 AM)
14D01	WORKLIGHTS
14E01	TOOL BOX, TOOL BOX KIT & SMV (Jun 8 2009 3:07:00.0046 PM)
01A01	FRONT & REAR WHEELS (Apr 30 2009 3:22:00.0028 PM)
01A02	FRONT END WEIGHTS (Aug 27 2008 11:12:00.0035 AM)
01A03	REAR WHEEL WEIGHTS, 105 LBS., AG ONLY (Jun 8 2009 3:20:00.0038 PM)
01A04	REAR WHEEL WEIGHTS, 75 LBS., R4
12A01	INSTRUMENT PANEL (Feb 17 2012 1:53:00.0037 PM)
12B01	DASHBOARD AND REAR HOOD
16A01	DECALS, OPERATING (Nov 30 2010 8:53:00.0027 AM)

TABLE OF CONTENTS

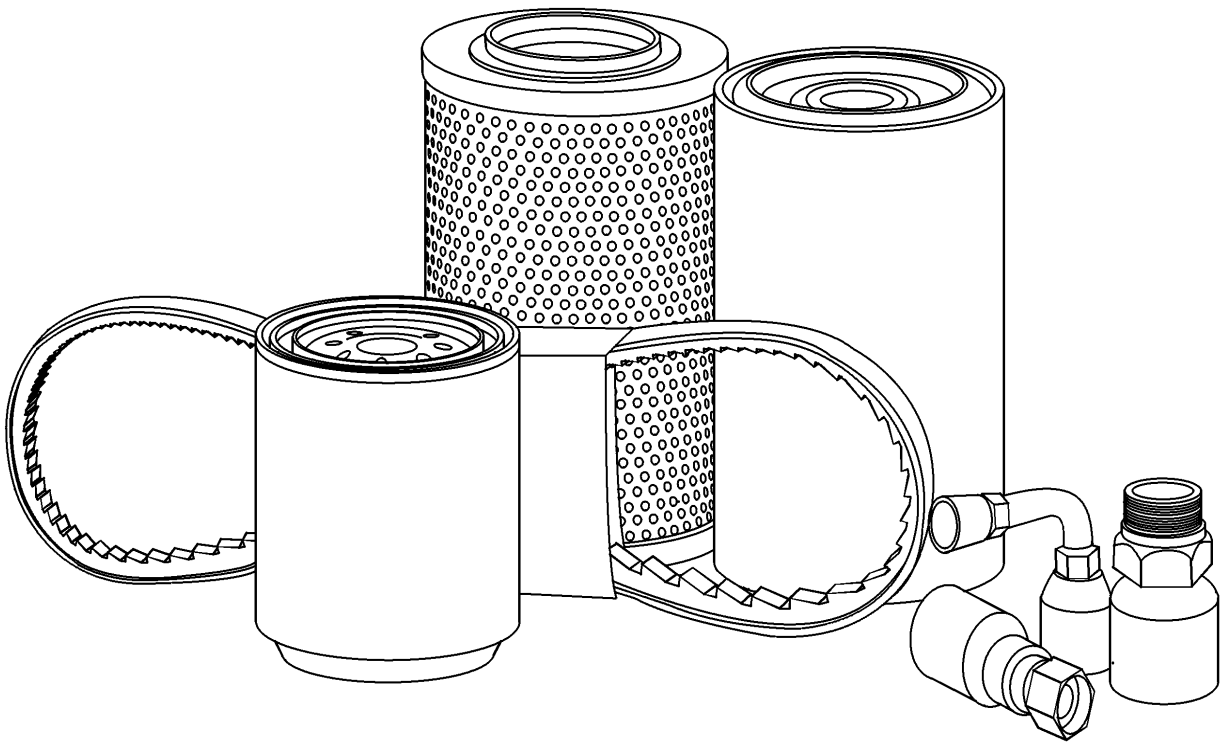
16A02	DECALS, IDENTIFICATION (Apr 25 2005 1:10:00.0026 PM)
16A03	DECALS, WARNING
13A01	SEAT, SEAT BELT SET & ARMREST KIT, DELUXE
13A02	SEAT & SEAT BELT SET, ECONOMY
17A01	PAINT (Nov 28 2011 9:57:00.0047 AM)
17A02	RECOMMENDED DEALER STOCKING LIST FOR EVERY 5 TRACTORS

SECTION INDEX

GENERAL

05.100.03		FILTER & CAPACITIES, 1530
05.100.03	01	FILTER & CAPACITIES, 1630
05.100.03	02	FILTER & CAPACITIES, 1725
05.100.03	03	FILTER & CAPACITIES, 1925

FILTER & CAPACITIES, 1530



FILTER & CAPACITIES, 1530

REF FN	PART NUMBER	YR/SN	QTY DESCRIPTION
*	CNH XHD COOLANT		ANTIFREEZE Coolant, 4.2-QT (4L)
1	84475542		1 ENGINE OIL FILTER
*	M-GOLD SAE15W40		OIL Engine, 15W40, w/ Filter, 4.8-QT (4.5L)
*	M-GOLD SAE15W40		OIL Engine, w/o Filter, 4.2-QT (4L)
2	87682998		1 AIR FILTER
3	87300180		1 AIR FILTER
4	SBA340501030		1 FILTER Hydraulic
*	MULTI G 134		OIL Rear Axle and Transmission, 134D, Gear, 9.3-Gal (35.2L)
*	MULTI G 134		OIL Rear Axle and Transmission, Hydrostatic, 7.5-Gal (28.4L)
5	{SBA3607200}		1 Fuel
*	MULTI G 134		OIL Power Steering, 134D, 1.7-QT (1.6L)
*	MULTI G 134		OIL Front Axle, Hubs and Differential Each-FWD Only, 134D, Case, 1.5-QT (1.4L)
*	MULTI G 134		OIL Front Axle, Hubs and Differential Each-FWD Only, Hub, 0.85-QT (0.8L)

1530-3 CYL COMPACT TRACTOR

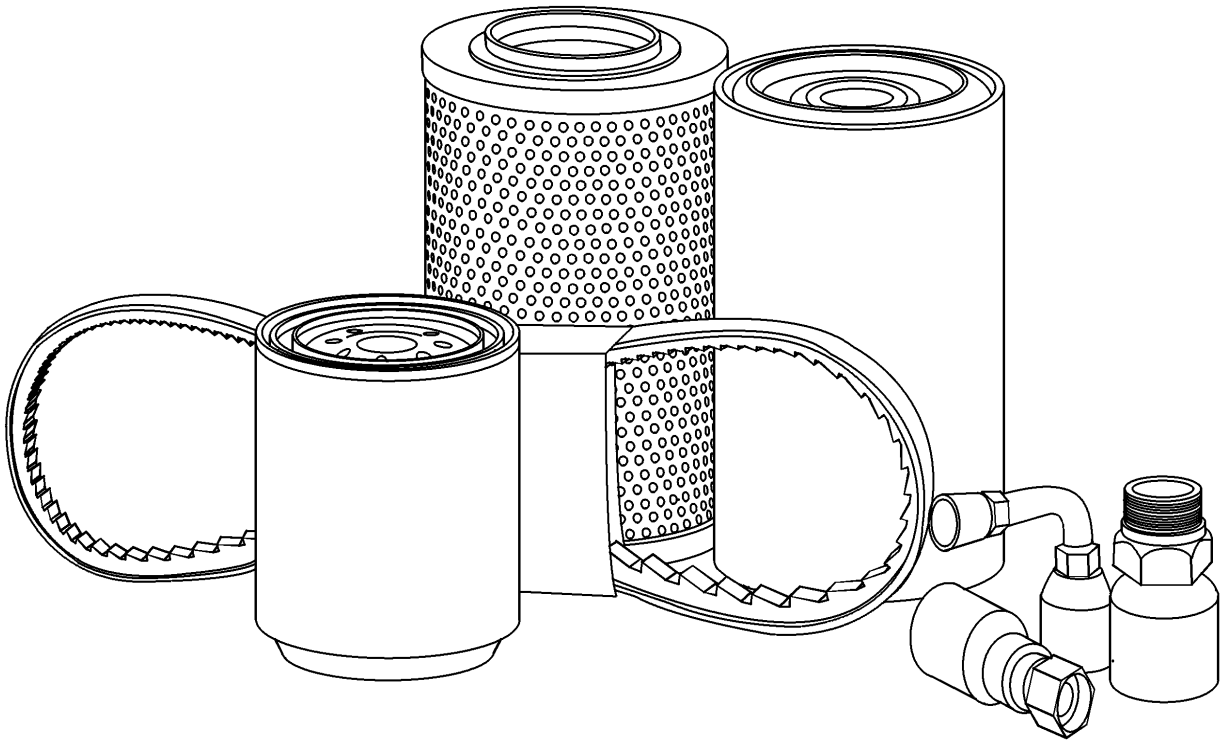
05.100.03

01

p1

5/2018

FILTER & CAPACITIES, 1630

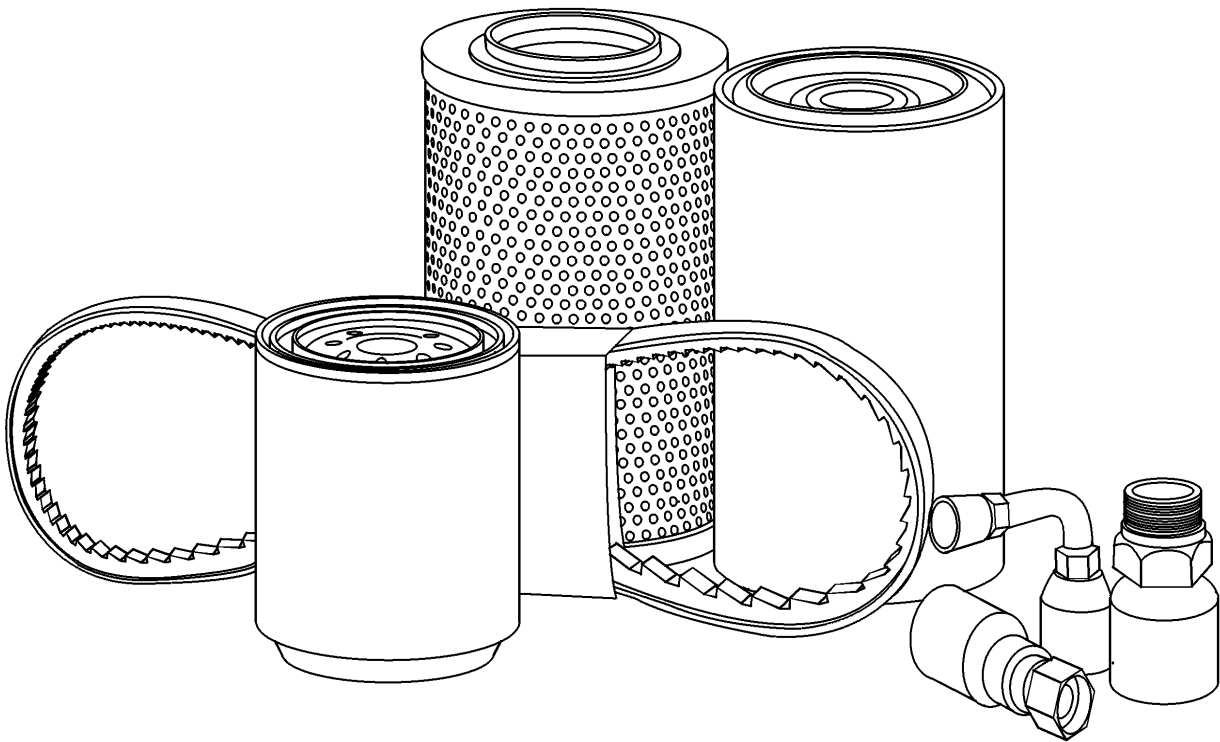


FILTER & CAPACITIES, 1630

REF FN	PART NUMBER	YR/SN	QTY DESCRIPTION
*	CNH XHD COOLANT		ANTIFREEZE Coolant, 4.2-QT (4L)
1	84475542		1 ENGINE OIL FILTER
*	M-GOLD SAE15W40		OIL Engine, 15W40, w/ Filter, 4.8-QT (4.5L)
*	M-GOLD SAE15W40		OIL Engine, 15W40, w/o Filter, 4.2-QT (4L)
2	87682998		1 AIR FILTER
3	87300180		1 AIR FILTER
4	87300043		1 HYDRAULIC OIL FILTER
*	MULTI G 134		OIL Rear Axle and Transmission, 134D, Gear, 9.3-Gal (35.2L)
*	MULTI G 134		OIL Rear Axle and Transmission, Hydrostatic, 7.5-Gal (28.4L)
5	SBA340501030		1 FILTER w/ Hydrostat Also Use
6	{SBA3607200}		1 Fuel
*	MULTI G 134		OIL Power Steering, 134D, 1.7-QT (1.6L)
*	MULTI G 134		OIL Front Axle, Hubs and Differential Each-FWD Only, 134D, Case, 1.5-QT (1.4L)
*	MULTI G 134		OIL Front Axle, Hubs and Differential Each-FWD Only, Hub, 0.85-QT (0.8L)

1630-3 CYL COMPACT TRACTOR

FILTER & CAPACITIES, 1725

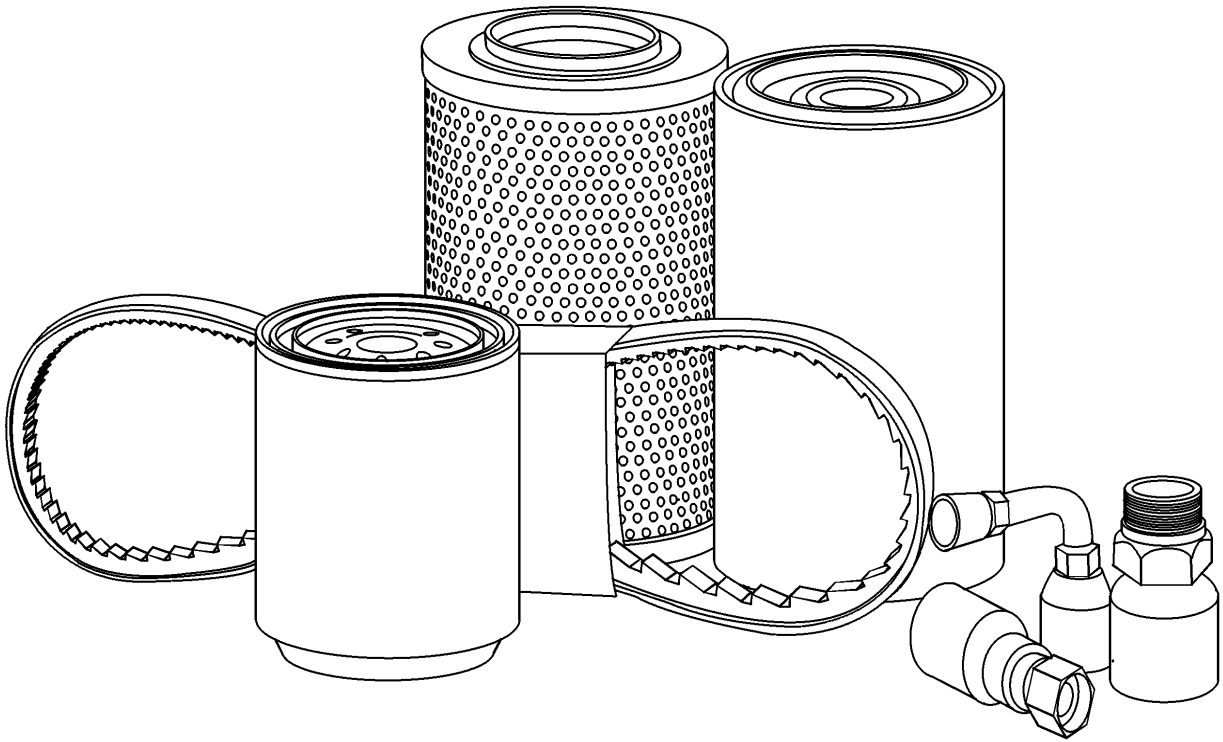


FILTER & CAPACITIES, 1725

REF FN	PART NUMBER	YR/SN	QTY DESCRIPTION
*	CNH XHD COOLANT		ANTIFREEZE Coolant, 4.2-QT (4L)
1	84475542		1 ENGINE OIL FILTER
*	M-GOLD SAE15W40		OIL Engine, 15W40, w/ Filter, 4.8-QT (4.5L)
*	M-GOLD SAE15W40		OIL Engine, w/o Filter, 4.2-QT (4L)
2	87682998		1 AIR FILTER
3	87300180		1 AIR FILTER
4	87300043		1 HYDRAULIC OIL FILTER
*	MULTI G 134		OIL Rear Axle and Transmission, 134D, 9.3-Gal (35.2L)
5	{SBA3607200}		1 Fuel
*	MULTI G 134		OIL Power Steering, 134D, 1.7-QT (1.6L)
*	MULTI G 134		OIL Front Axle, Hubs and Differential Each-FWD Only, 134D, Case, 1.5-QT (1.4L)
*	MULTI G 134		OIL Front Axle, Hubs and Differential Each-FWD Only, Final Reduction, 0.85-QT (0.8L)

1725-3 CYL COMPACT TRACTOR

FILTER & CAPACITIES, 1925



FILTER & CAPACITIES, 1925

REF FN	PART NUMBER	YR/SN	QTY DESCRIPTION
*	CNH XHD COOLANT		ANTIFREEZE Coolant, 4.2-QT (4L)
1	84475542		1 ENGINE OIL FILTER
*	M-GOLD SAE15W40		OIL Engine, 15W40, w/ Filter, 4.8-QT (4.5L)
*	M-GOLD SAE15W40		OIL Engine, w/o Filter, 4.2-QT (4L)
2	87682998		1 AIR FILTER
3	87300180		1 AIR FILTER
4	87300043		1 HYDRAULIC OIL FILTER
5	SBA340501030		1 FILTER w/ Hydrostat Also Use
*	MULTI G 134		OIL Rear Axle and Transmission, 134D, Gear, 9.3-Gal (35.2L)
*	MULTI G 134		OIL Rear Axle and Transmission, Hydrostatic, 7.5-Gal (28.4L)
6	{SBA3607200}		1 Fuel
*	MULTI G 134		OIL Power Steering, 134D, 1.7-QT (1.6L)
*	MULTI G 134		OIL Front Axle, Hubs and Differential Each-FWD Only, 134D, Case, 1.5-QT (1.4L)
*	MULTI G 134		OIL Front Axle, Hubs and Differential Each-FWD Only, Final Reduction, 0.85-QT (0.8L)

1925-3 CYL COMPACT TRACTOR

SECTION INDEX

ENGINE

06A01	CYLINDER BLOCK (Oct 21 2010 7:04:00.0016 AM)
06B01	CAMSHAFT
06C01	CYLINDER HEAD (Oct 21 2010 6:59:00.0024 AM)
06D01	CRANKSHAFT & PISTONS
06E02	TIMING GEAR CASE
06F01	OIL PUMP, WATER PUMP, ALTERNATOR
06G01	MUFFLER (Apr 24 2009 10:24:00.0025 AM)
06H01	ENGINE GASKET KIT (Feb 15 2011 2:33:00.0232 PM)
06H02	ENGINE GASKET KIT

**Thanks very much for your reading,
Want to get more information,
Please click here, Then get the complete
manual**

JustClickHere 

NOTE:

**If there is no response to click on the link above,
please download the PDF document first, and then
click on it.**

**Have any questions please write to me:
admin@servicemanualperfect.com**